



Turn&Clean **200 042 820, 830, 840**

Turn&Clean

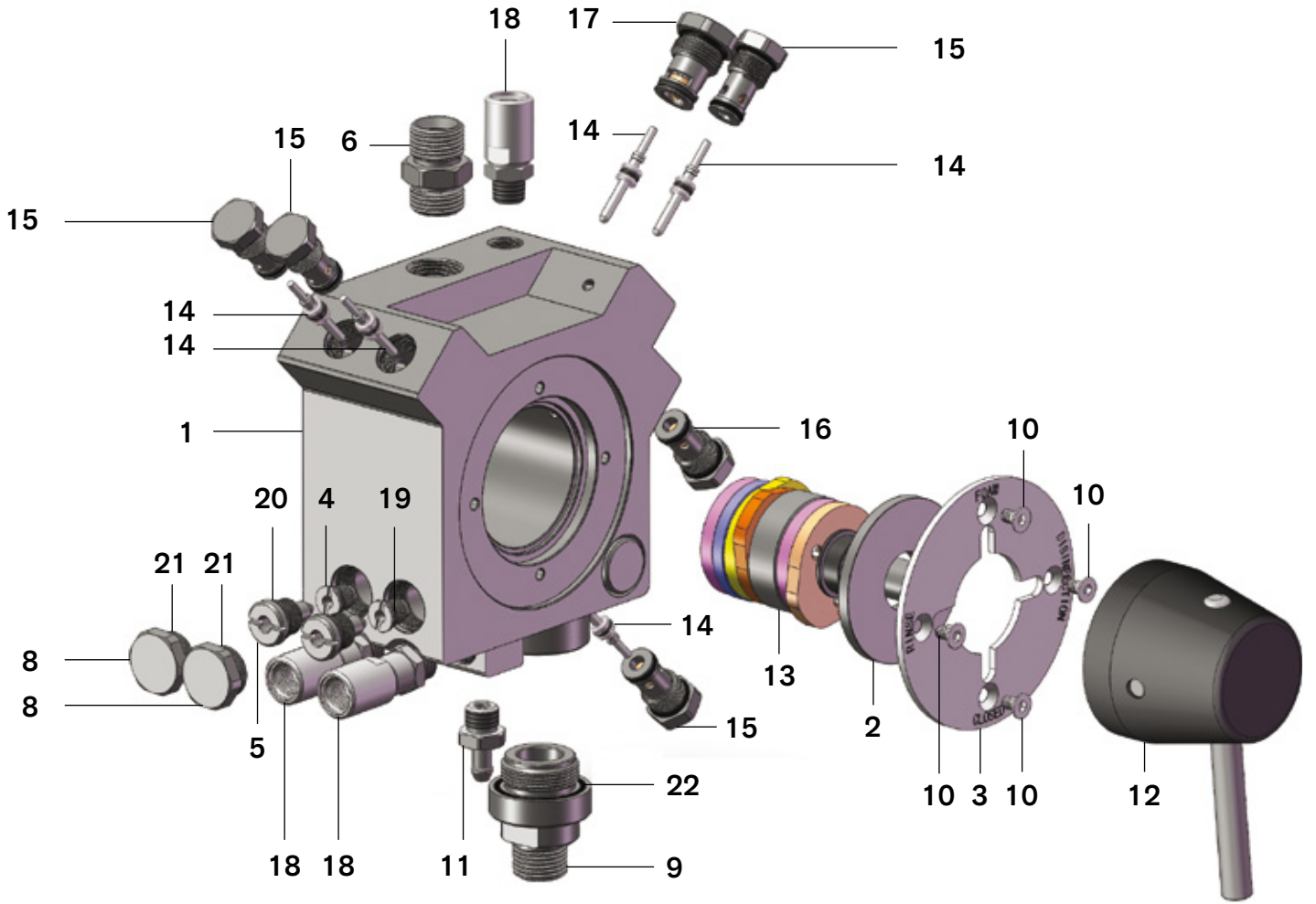
Product nr.	200 042 820
Pressure Range	50-150BAR
Max Flow	50L/Min
Air Pressure Range	3-8BAR
Air Flow	30-50L/Min
Inlet Port	1/2" M
Outlet Port	1/2" M
Injector Size	1.2mm
Amount of Chemicals	2
Max Temperature	80°C
Weight	9kg

Product nr.	200 042 830
Pressure Range	20-150BAR
Injector Size	1.5mm

Product nr.	200 042 840
Pressure Range	20-50BAR
Injector Size	1.7mm

Features

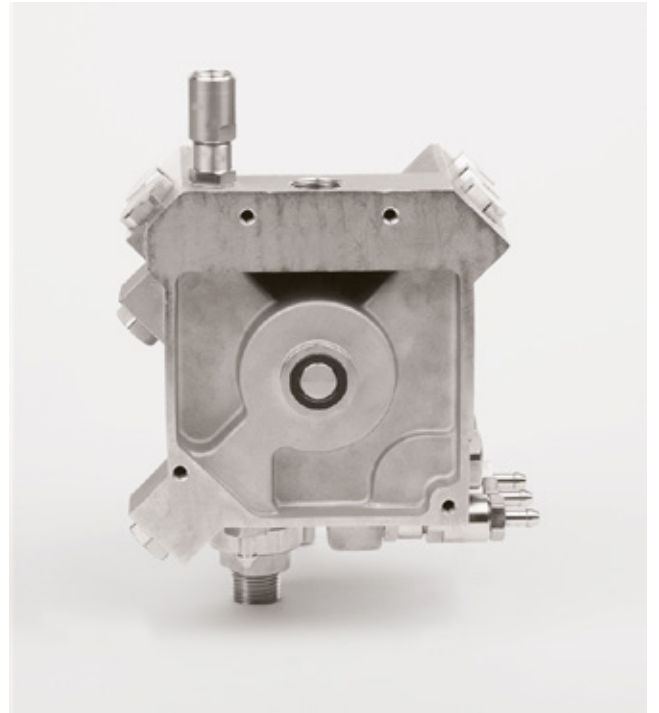
- Turn&Clean is specially designed for the food industry but can be used for car washes and all kinds of industrial use.
- Turn&Clean is a chemical dosing system for centralized cleaning, you have the choice of using rinsing water and two or three different types of chemicals.
- Each chemical has its own injector and the concentration can be preset in a range of 1-10%
- Turn&Clean is operated by a handle that has four positions and connected to Turn&Clean is a high pressure hose with a gun which has interchangeable lances.
- The Turn&Clean can be used in the pressure range of 20-150BAR
- Units can be located in every area that has to be cleaned. The quantity of units is unlimited, it only depends on the size of the cleaning system. Each unit can be used independently.
- Chemicals can be stored in a separate room or in cans directly under the unit



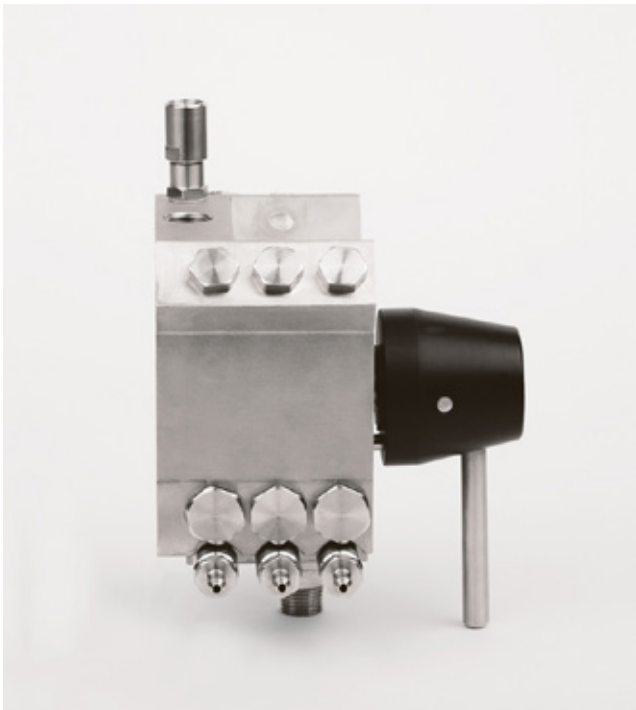
Item	Description	Part nr.	Quantity	820	830	840
1	210 033 100	Body	1	x	x	x
2	210 033 118	Plate Bushing	1	x	x	x
3	210 033 119	Marking Plate	1	x	x	x
4	210 033 121	Injector Housing 1.8mm	2	x		
	210 033 126	Injector Housing 2.6mm	2		x	x
5	210 033 122	Injector Needle 1.2mm	2	x		
	210 033 125	Injector Needle 1.5mm	2		x	
	210 033 127	Injector Needle 1.7mm	2			x
6	210 033 123	Nipple 1/2"M	1	x	x	x
8	210 033 215	Injector Cap	2	x	x	x
9	210 033 217	Outlet Nipple	1	x	x	x
10	210 033 220	Bolts M5x8	4	x	x	x
11	210 034 523	Hosetail	1	x	x	x
12	210 032 860	Handle Assy	1	x	x	x
13	210 033 861	Cam Assy	1	x	x	x
14	210 033 874	Pin Assy	5	x	x	x
15	210 032 604	PEEK Valve (plain)	4	x	x	x
16	210 032 605	PEEK Valve	1	x	x	x
17	210 032 662	PEEK Valve	1	x	x	x
18	100 032 705	Check Valve	3	x	x	x
19	510 500 609	O-ring 7.65x1.78	2	x	x	x
20	510 500 148	O-ring 12.42x1.78	2	x	x	x
21	510 500 128	O-ring 13.63x2.21	2	x	x	x
22	510 500 102	O-ring 31.47x1.78	1	x	x	x



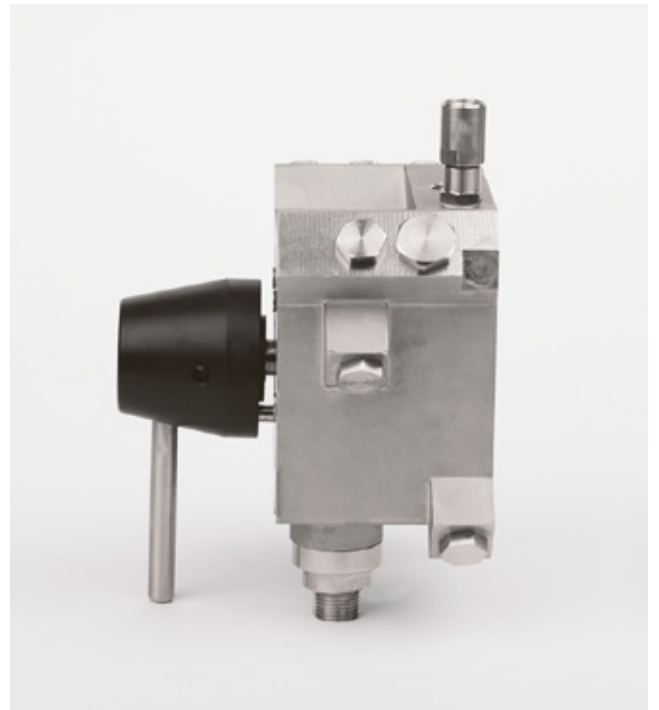
Front view



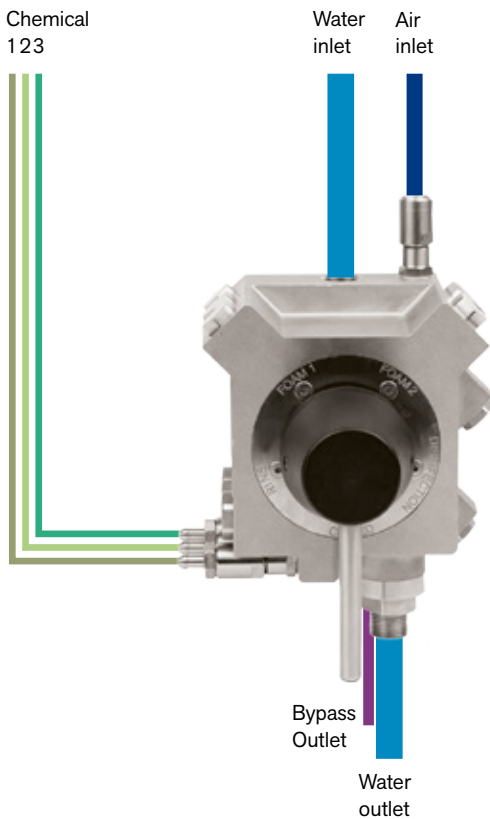
Back view



Left side view



Right side view



Mounting & connection material

Recommended piping: High pressure stainless steel water pipe with high pressure connections.

Chemical lines: Lines made out of Teflon or other chemical resistance material, with stainless steel connections.

Air connections: Standard air connections.

It's recommended to have the connection line separated from the main air supply that comes directly from the compressor. This to avoid the possibility of water getting into the main system.

Material description

Water Pipe: SS304 / SS316 – 12-20mm depending on pressure.

High Pressure Hose: 1/2". 15-25Meter

Chemical Line: 8x1mm PTFE

Air Pipe: 8-12mm PE

Fittings: Stainless Steel fittings recommended.

Turn&Clean installation

1. Attach the mounting plate to the Turn&Clean and screw the unit to the wall
2. Connect the water to the water inlet. It's recommended to install a ball valve at the water inlet for easy service and maintenance.
3. Connect the air to the air check valve
4. Connect the chemical hoses to the chemical check valves. Number the chemical hoses on both ends to ensure correct chemical for each check valve
5. Connect a pipe or hose to the bypass outlet at the bottom of the Turn&Clean. Lead the hose or pipe down to the floor or connect into the drainage system
6. Connect the high pressure hose to the outlet on the Turn&Clean. This can be done with a quick coupling or a permanent connection. A permanent connection is recommended when the hose is connected to a hose reel.

Start up on the system

Put the water pressure on and put the Turn&Clean into the rinse position to bleed the air out of the system and flush any particles that may be in the pipes after installation.

Put the chemical hoses into the chemical and select the 1st chemical.

Open the gun on the high pressure hose to suck the chemical into the Turn&Clean and then repeat the procedure for the rest of the chemicals.

When all injectors in the Turn&Clean are working properly, turn on the air pressure and test whether the unit is foaming correctly.

The suction capability of the Turn&Clean is approx. 5 meters in elevation.

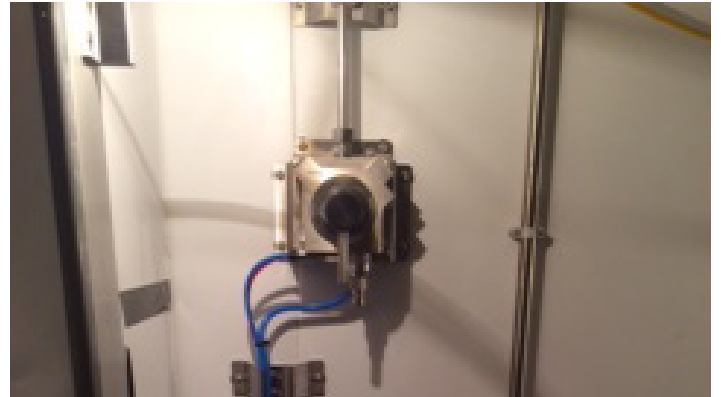
The Turn&Clean centralized system

Industrial cleaning and disinfection with Turn&Clean is simple and efficient due to its extraordinary operating comfort.

The new Turn&Clean is originally developed for the food industry. The units are mounted in the cleaning areas onto the main high pressure water supply. The chemicals for the Turn&Clean units can be centrally stored in a separate room or be placed under each individual unit. Turn&Clean is an advanced foaming device that can work on variable flows and pressures from 20 up to 150BAR.

The satellite is very simple in use and the chemical injectors in the unit allow for constant and precise dosing of each chemical. All Turn&Clean satellites are made of high quality casted stainless steel and other chemical resistant materials such as PEEK.

The Turn&Clean is an unique service free wall mounted satellite system that takes care of the complex cleaning and disinfection



cycles with ease. Depending on model 2 or 3 chemicals can be applied from the same suction point. The 3 chemical model ensures that even the periodic decalcification with an acid detergent can occur by means of the satellite. Each chemical has its own injector to prevent chemicals to be mixed in the unit. This also ensures that each chemical can be easily preset on the correct dosing. Dosing can be preset in a range of 1 to 10%.

From the Turn&Clean satellite there is only one hose and gun needed for all cleaning applications. To change between foaming, rinsing and disinfectant simply move the handle in the right position and swap to the correct nozzle for the application.

